



OMNI-493

OMNI-DIRECTIONAL, MARINE & COASTAL LTE/5G ANTENNA



617 – 3800 MHz, 9 dBi

- High performance, ultra-wideband omni-directional antenna
- Easy mounting with feed through 1-inch standard marine adapter bracket included
- Robust and can withstand adverse weather conditions at sea (IP 68)
- Various 316 stainless steel mounting brackets available optionally
- UV and saltwater protected against tempestuous weather conditions

Made in EU	617-960 MHz 1427-1517 MHz 1710-2700 MHz 3400-3800 MHz	9 dBi	Increase X Mb/s	Omni-Directional	5G	4G LTE	CBRS Band 3.5	BAND 71 617-698 MHz
IP68	-40°C to +80°C	Fire Resistant	Salt Spray Protection	APPLICATION AREAS:		Marine	Rural/Farm	Commercial & Industrial

Product Overview

The OMNI-493 is an ultra-wideband, high performance, omni-directional antenna that covers the contemporary 4G/LTE and future 5G operating frequencies with excellent balanced gain across all frequencies. The ultra-wideband performance from the antenna allows it to operate from 617 to 3800 MHz, with a peak gain of 9 dBi. The antenna is future proof as it covers the up-and-coming LTE Band 71 (617 to 698 MHz band), as well as 3400 to 3800 MHz CBRS band which will be utilized for future 5G applications. This makes the antenna usable in all parts of the world and guarantees signal reception almost everywhere. The antenna design allows for superior pattern control over the entire frequency range, making the OMNI-493 a true high performance omni-directional antenna, suitable for marine and coastal applications. The exceptional wideband performance is an important factor for LTE and future 5G technologies, where these technologies rely on features such as Carrier Aggregation (CA) to provide the best possible reception and throughput over multiple frequency bands simultaneously.



Features

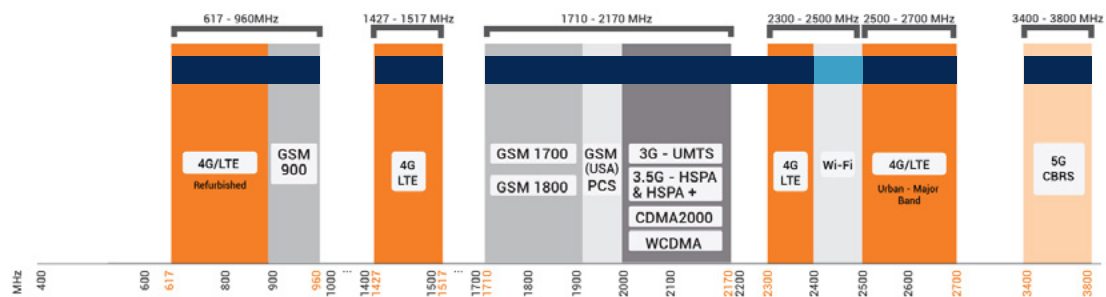
- High gain omni-directional antenna
- Includes band 71 (617 to 698 MHz) and 3.5 GHz 5G bands
- Wideband operation, makes the antenna future proof
- Antenna is purpose-built for marine and coastal operation
- Robust and weather resistant design with IP 68 rating
- UV stable and saltwater resistant enclosure for marine

Application Areas

- Marine applications / Yachts / Boats / Ferries
- Enhanced 4G/LTE and 5G reception
- IoT & M2M applications
- Areas with poor data signal reception
- Improve data transmission connection reliability & stability

Frequency Bands


The OMNI-493 is an omni-directional antenna that works from | 617 – 960 MHz | 1427 – 1517 | 1710 – 2700 MHz | and | 3400 – 3800 MHz |



■ Indicates the 4G/5G bands on which OMNI-493 works

■ Indicates the WI-FI bands on which OMNI-493 works

Antenna Overview

	
Ports	1
SISO / MIMO	SISO
Frequency Bands	617 - 3800 MHz
Polarisation	Linear Vertical
Peak Gain	9 dBi
Connector Type	N-Type (F)
Coax Cable Type	N/A
Coax Cable Length	N/A



* The connector is factory mounted to the antenna

Electrical Specifications

Frequency Bands:	617 – 960 MHz 1427 – 1517 MHz 1710 – 2700 MHz 3400 – 3800 MHz
Gain (Max):	6 dBi @ 617 – 960 MHz 6 dBi @ 1427 – 1517 MHz 9 dBi @ 1710 – 2700 MHz 8 dBi @ 3400 – 3800 MHz
VSWR:	≤2.5:1
Feed Power Handling:	10 W
Input Impedance:	50 Ohm (nominal)
Polarisation:	Linear Vertical
DC Short:	Yes

Product Box Contents

Antenna:	A- OMNI-0493
Mounting Bracket:	1" (14 TPI) Marine Adapter (BRKT-40) & L-bracket (Ø30- 50mm Pole)

Ordering Informations

Commercial name:	OMNI- 493
Order product code:	A-OMNI-0493-V1-01
EAN number:	6009710922262

Mechanical Specifications

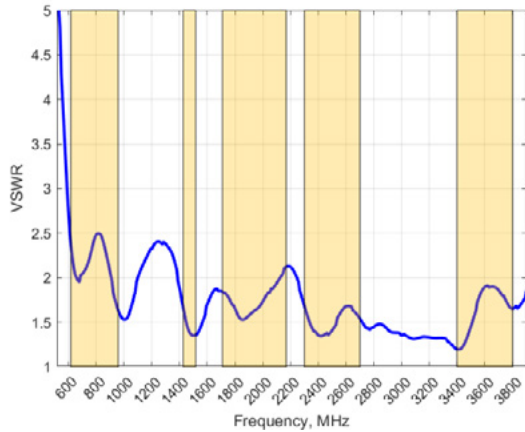
Product Dimensions:	646 mm x Ø75 mm (excl. BRKT-40)
Packaged Dimensions:	704 mm x 147 mm x 100 mm
Weight:	0.47 Kg
Packaged Weight:	1.53 Kg
Radome Material:	UV Stable Marine ASA
Radome Colour:	Brilliant White Pantone P 179-1C
Mounting Type:	Standard 1" -14 TPI marine mount & Wall/pole mount

Environmental Specifications, Certification & Approvals

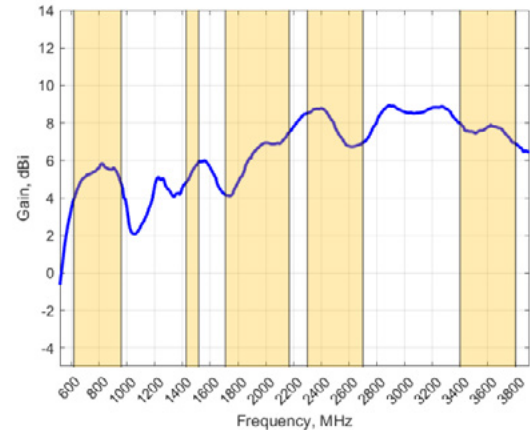
Wind Survival:	<160 km/h
Temperature Range (Operating):	-40°C to +80°C
Environmental Conditions:	Outdoor/Indoor
Water Ingress Protection Ratio/Standard:	IP 68
Salt Spray:	MIL-STD 810G/ASTM B117
Operating Relative Humidity:	Up to 98%
Storage Humidity:	5% to 95% - non-condensing
Storage Temperature:	-40°C to +80°C
Enclosure Flammability Rating:	UL 94-HB
Impact Resistance:	IK 08
Product Safety & Environmental:	Complies with CE and RoHS standards

Antenna Performance Plots

VSWR



Gain (Excluding Cable Loss)



Voltage Standing Wave Ratio (VSWR)*

VSWR is a measure of how efficiently radio-frequency power is transmitted from a power source, through a transmission line, into a load. In an ideal system, 100% of the energy is transmitted which corresponds to a VSWR of 1:1. The OMNI-493 delivers superior performance across all bands with a VSWR of $\leq 2.5:1$.

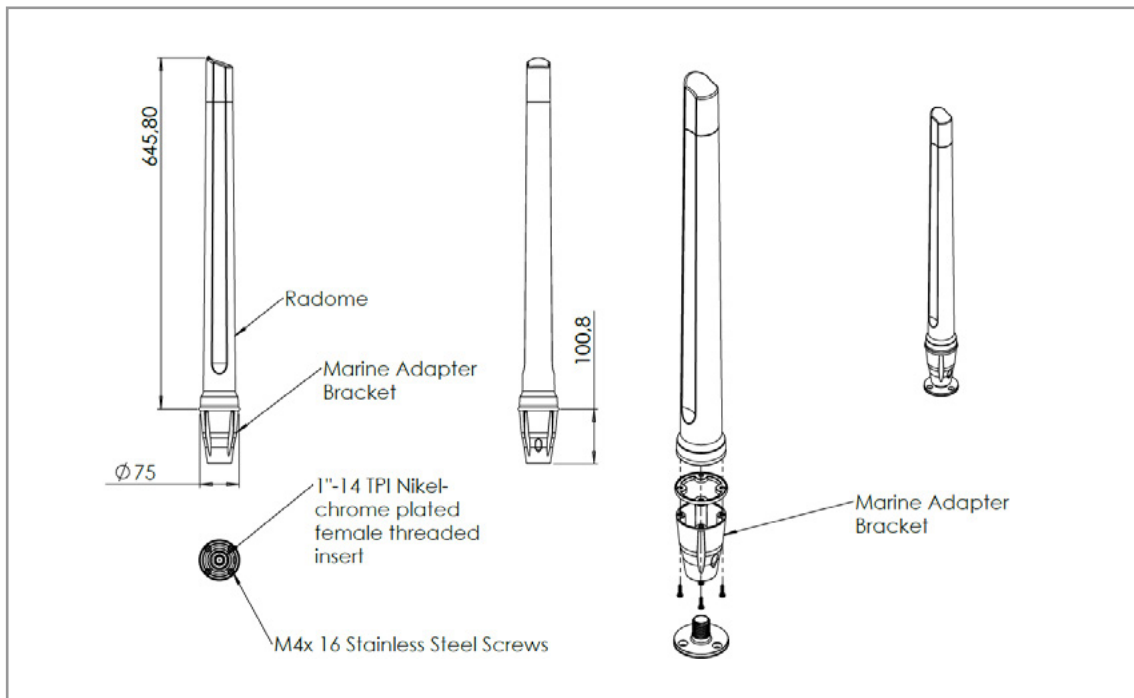
* VSWR measured with a 2m low loss cable.

Gain* in dBi

9 dBi is the peak gain across all bands from 617 – 3800 MHz

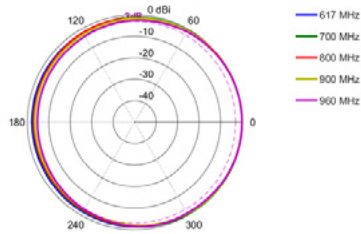
Gain @ 617 – 960 MHz:	6dBi
Gain @ 1427 – 1517 MHz:	6dBi
Gain @ 1710 – 2700 MHz:	9dBi
Gain @ 3400 – 3800 MHz:	8dBi

* Antenna gain measured with polarisation aligned standard antenna

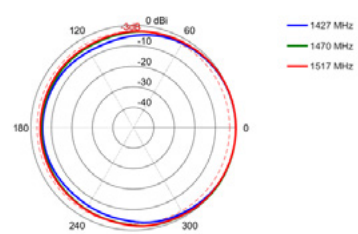


Radiation Patterns - Cellular

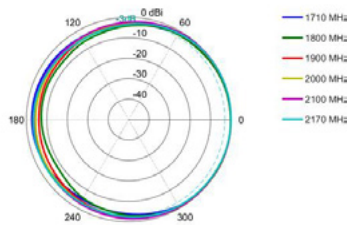
Azimuth: 617 - 968 MHz



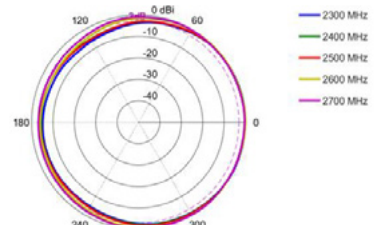
Azimuth: 1427 - 1517 MHz



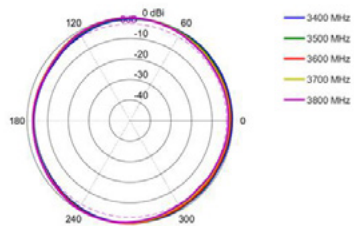
Azimuth: 1710 - 2170 MHz



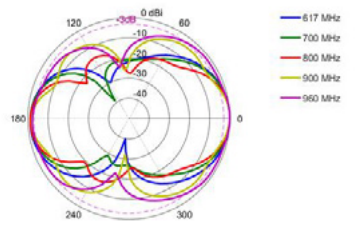
Azimuth: 2300 - 2700 MHz



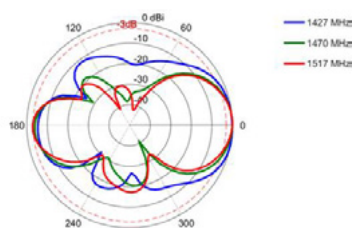
Azimuth: 3400 - 3800 MHz



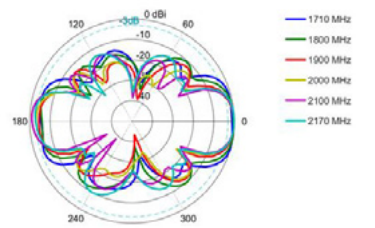
Elevation: 617 - 968 MHz



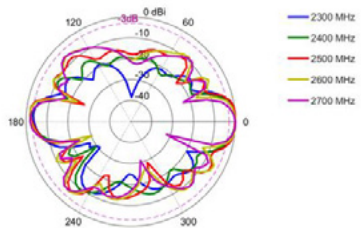
Elevation: 1427 - 1517 MHz



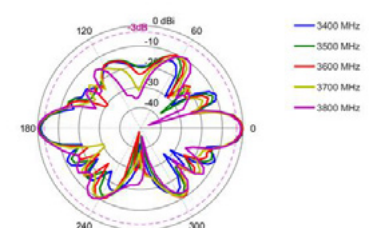
Elevation: 1710 - 2170 MHz



Elevation: 2300 - 2700 MHz

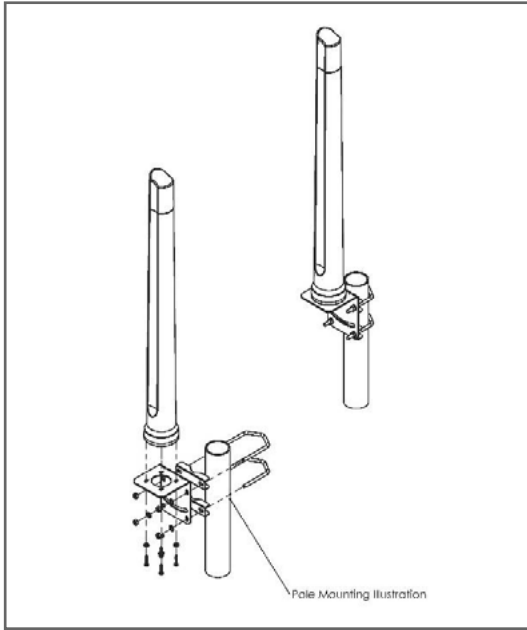


Elevation: 3400 - 3800 MHz



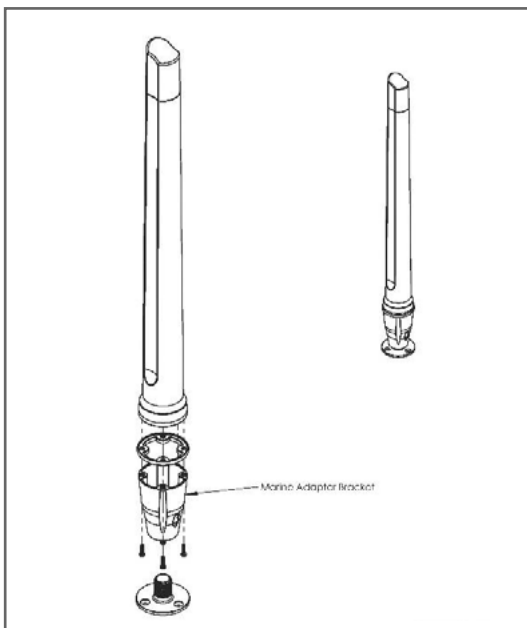
Mounting Options

Pole Mount



L-Bracket 316 Stainless Steel – included
(for Ø 30-50mm pole)

Marine Bracket Mount



1" -14 TPI female adapter – included
Mounts to standard marine brackets:
· BRKT-37: Flat Mount - Optional
· BRKT-38: Ratchet Mount - Optional
· BRKT-39: Rail Mount - Optional
See Optional Accessories below

Also available: BRKT-41 with 1.25" – 11TPI female
adapter (Optional)
See Accessories below